

# Multifunction Controller Series



CE RoHS

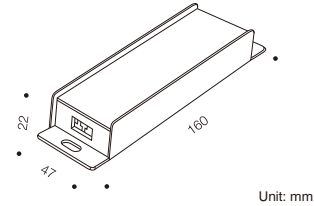
## Specifications

Model:	AL7001		
Input Voltage:	12~24V DC	Max output Power:	120W/240W(12/24V)
Max current Load:	10A*1CH Max 10A	Input Signal:	DMX512/1990&0/1-10V
The light gray level:	256	DALI/PWM Socket:	RJ45/Screwless terminal
Gross Weight:	220g	Work Temp.:	-30°C~70°C

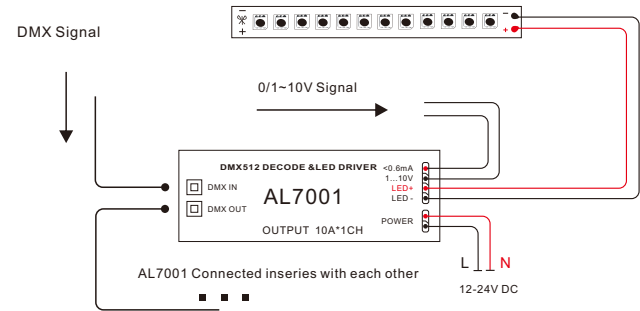
## Features

- Support DMX signal dimming function and 0/1-10V signal dimmer, priority DMX512 signal dimmer.
- Single channel constant voltage to control, the nominal drive is 8A.the maximum driving ability is 12A.
- No flicker, analog voltage active 0/1-10V dimmer, passive 0/1-10V dimmer general, can as the main dimming with the large control system.
- The product has test function, when has not signal input, the brightness as the maximum output, can through the input interface short circuit to test the product work or not, the input interface short circuit and the brightness will gradually dark to minimum value. When open the circuit it will keep the maximum brightness output.

## Dimensions



## Wiring Diagram



**When DMX signal input, the 1 ~ 10 V analog signal will through the CPU disconnect, priority DMX signal control.**

## Note

DMX Master output and AL7001's transmission lines can't be over 300 meters. DMX Master(DMX5000) each interface can with not more than 170 pieces of AL7001. Eight output interface. Through the JBLED FLASH light making software and can with computer on line control. Realize infinite contact the DMX lights. When contacted 32 pieces of AL7001, DMX signal must add a signal amplifier Re2000 Cascade can't more than 4 PCS  
0/1-10V simulator dimmer interface signal connection, please choose to surge of smooth curve 0/1-10V dimmers, otherwise may directly affect the smoothness of the LED light  
The load LED and the controller of power's voltage must be consistent, and must be on the product of the input voltage regulation range.